

Brock Associates
180 Bilmar Drive
Pittsburgh, PA. 15205

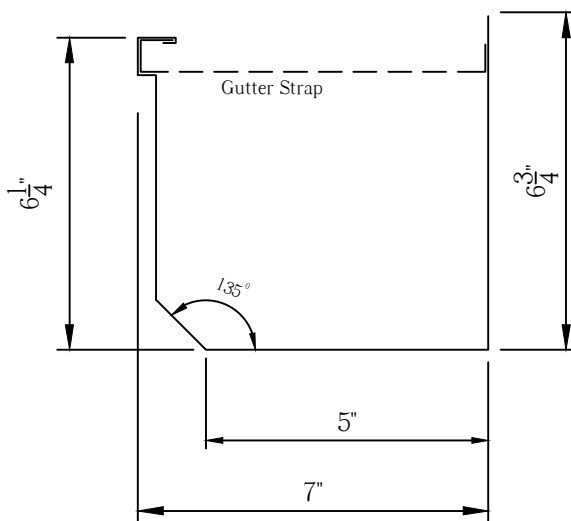
PH : (412) 919-0690
FX : (412) 919-0689

7" CONTINUOUS GUTTER

(Accessories Available)

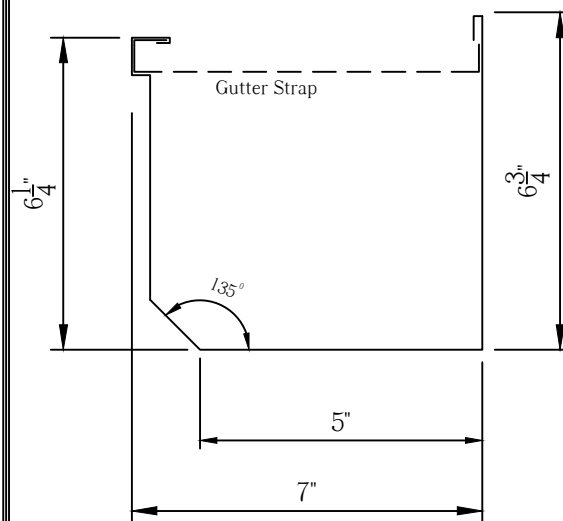
7" GUTTER PROFILE

Requires 20" Wide Coil
24 Ga. Steel - .032 Aluminum - .040 Aluminum



7" GUTTER PROFILE With HEM

Requires 20" Wide Coil
24 Ga. Steel - .032 Aluminum - .040 Aluminum



7" GUTTER PROFILE With FLANGE

Requires 24" Wide Coil
24 Ga. Steel - .032 Aluminum - .040 Aluminum

